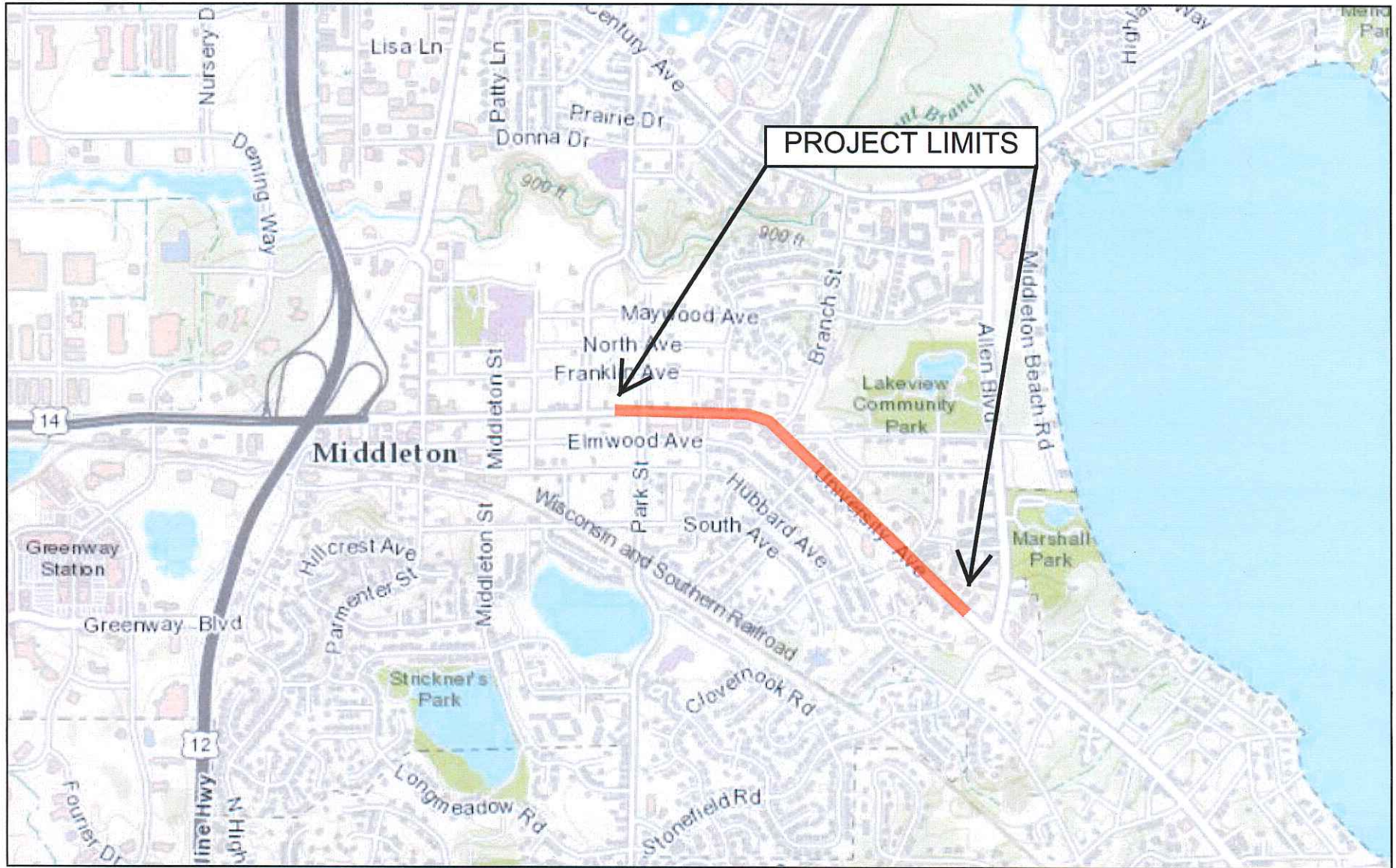
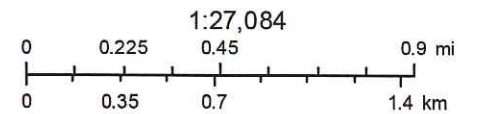


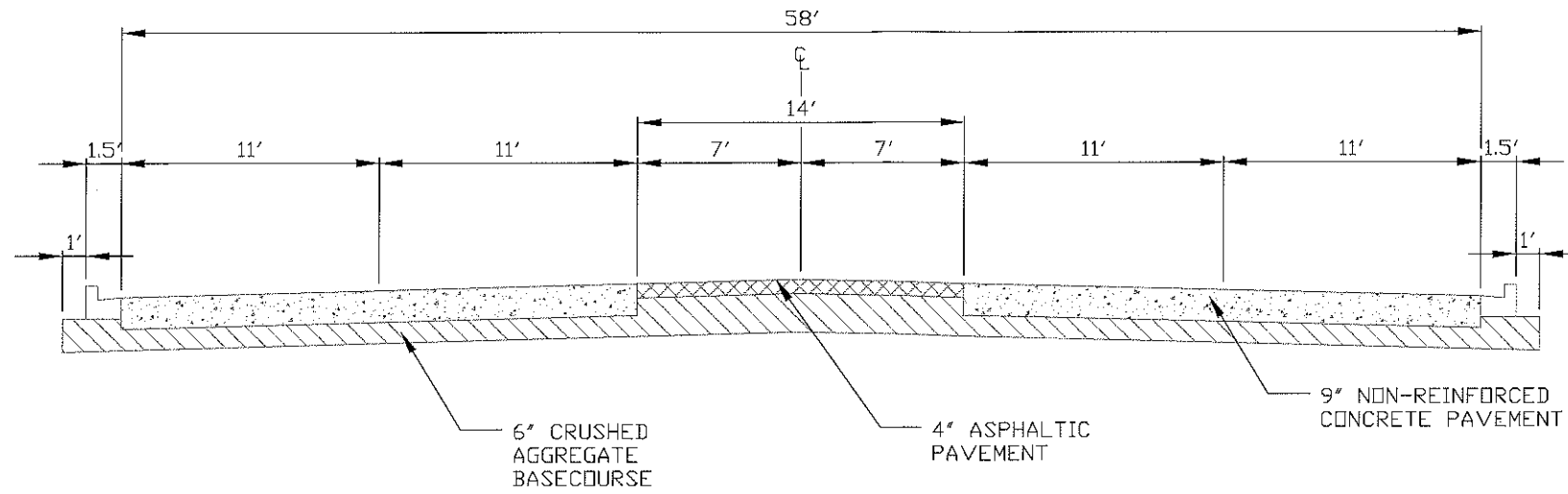
CTH MS (UNIVERSITY AVENUE) (PARK ST - ALLEN BLVD)



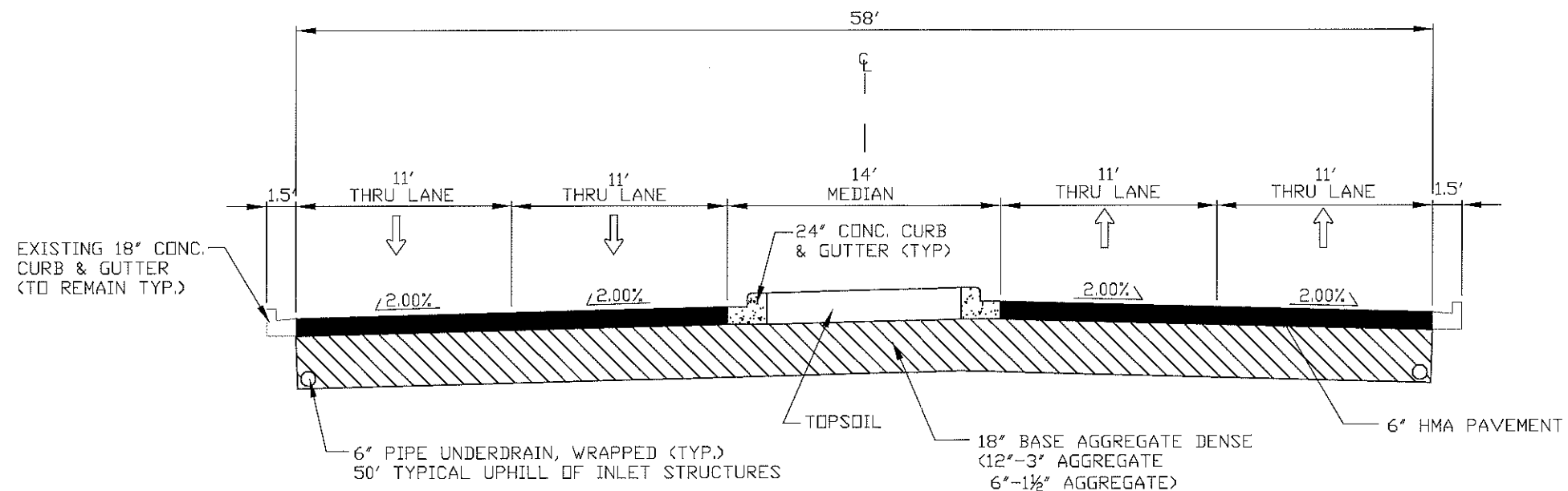
October 27, 2016



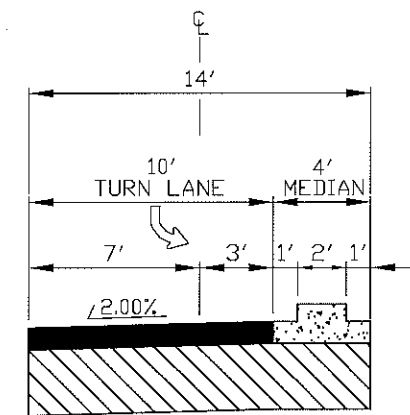
Sources: Esri, HERE, DeLorme, Intermap, increment P Corp., GEBCO, USGS, FAO, NPS, NRCAN, GeoBase, IGN, Kadaster NL, Ordnance Survey,



TYPICAL EXISTING SECTION
PARK STREET - BRANCH STREET

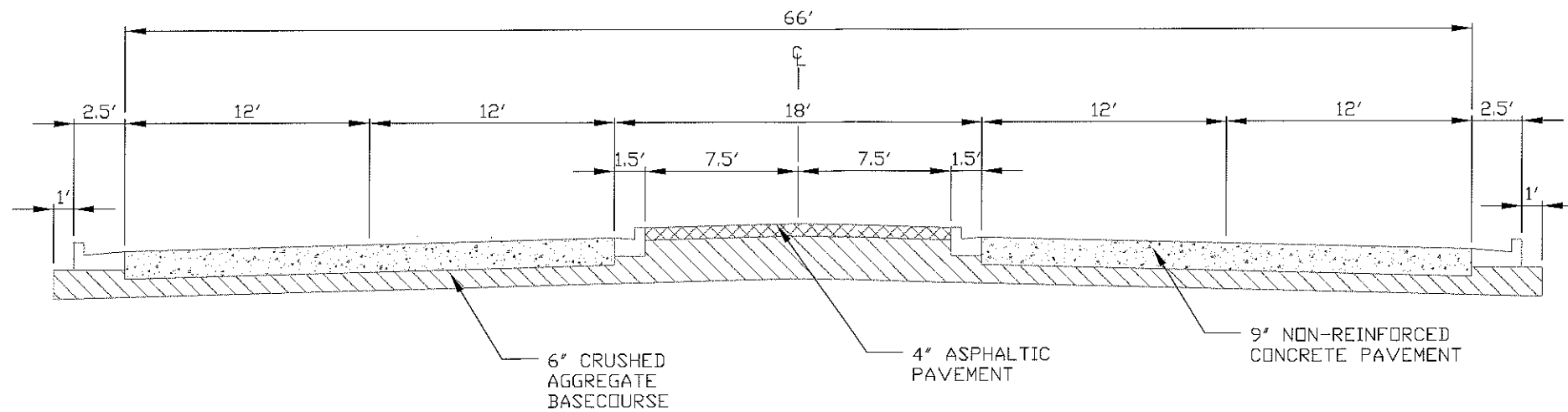


TYPICAL PROPOSED SECTION
PARK STREET - BRANCH STREET

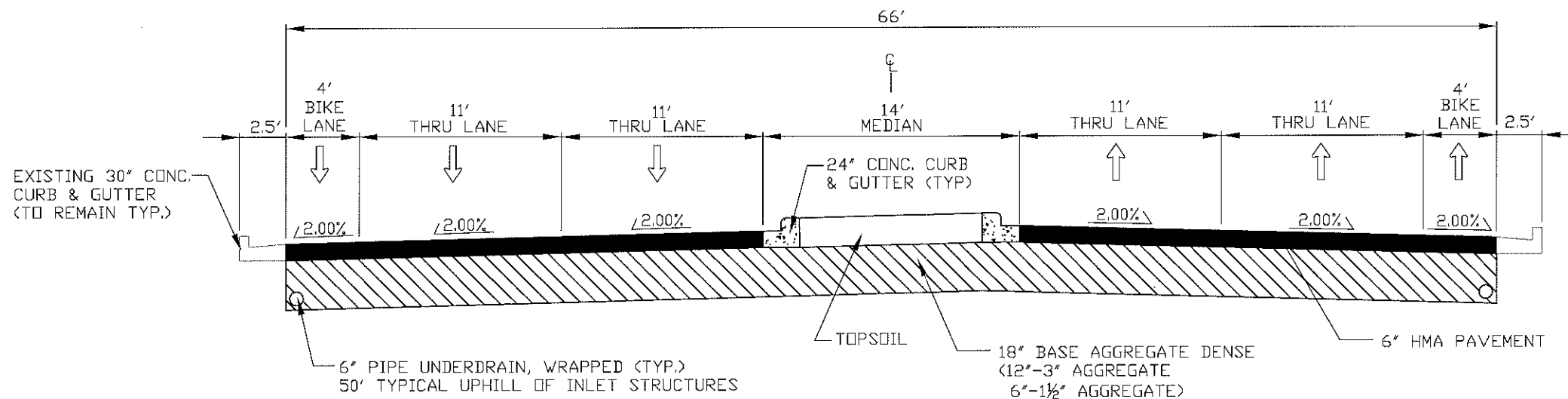


TYPICAL PROPOSED SECTION
WITH 10' TURN LANE

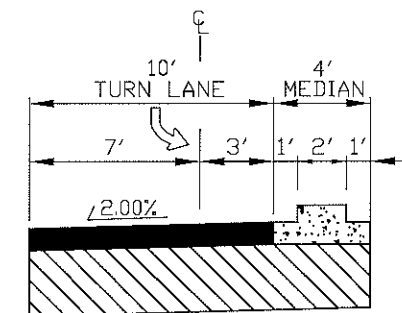
NOT TO SCALE



TYPICAL EXISTING SECTION
BRANCH STREET - ALLEN BLVD



TYPICAL PROPOSED SECTION
BRANCH STREET - ALLEN BLVD



TYPICAL PROPOSED SECTION
WITH 10' TURN LANE

NOT TO SCALE